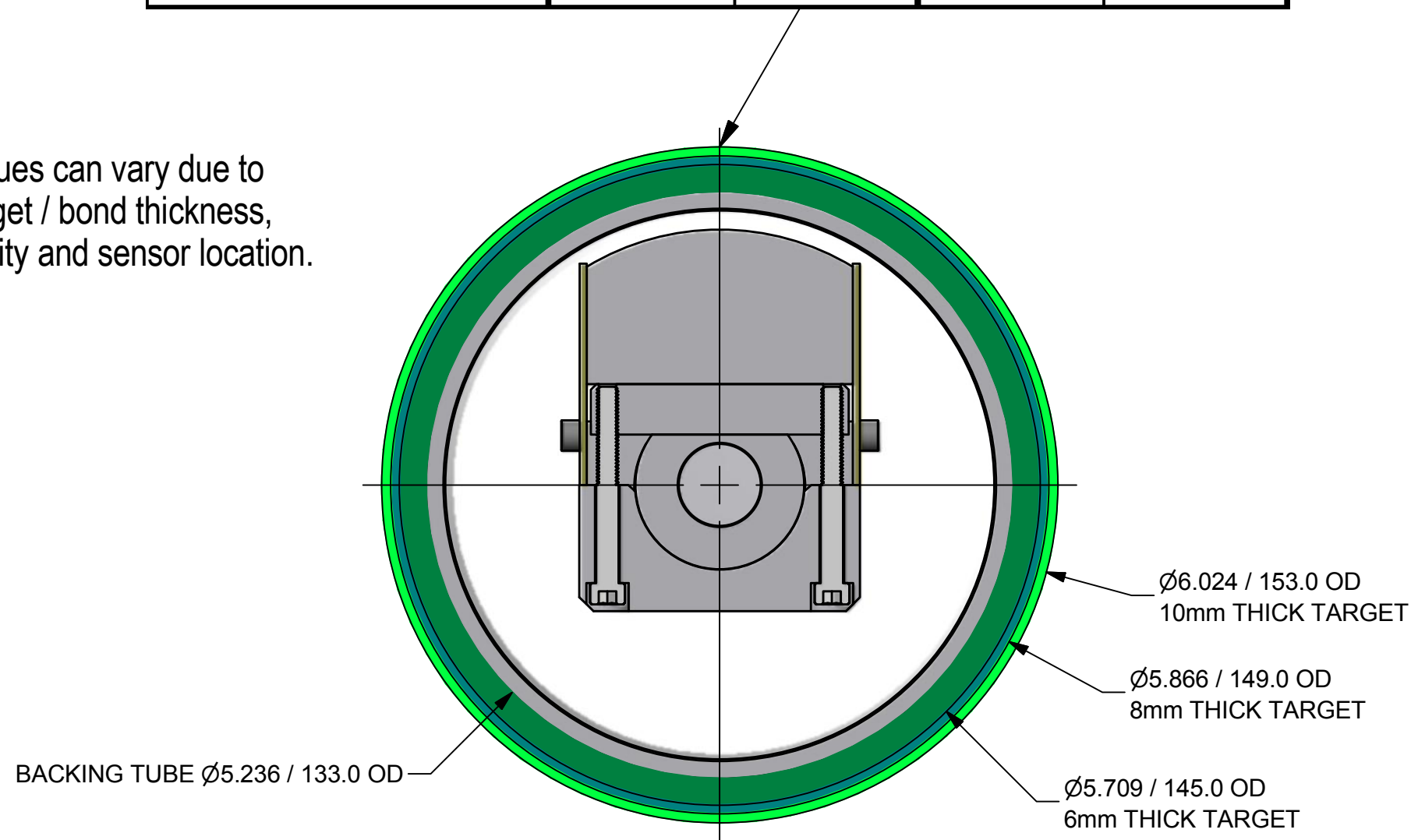


Cylindrical Magnetic Field at Indicated Target Thickness

TARGET THICKNESS	MAGNETS (GAUSS)			
	HIGH		XTREME	
	S MAX	S MIN	S MAX	S MIN
10 M M	570	424	1040	775
8 M M	660	510	1238	928
6 M M	807	610	1522	1118

S MAX = MAXIMUM SHIM
S MIN = MINIMUM SHIM

NOTE: Gauss values can vary due to probe, target / bond thickness, concentricity and sensor location.



NO.	DATE	REVISION	BY

TOLERANCES
(UNLESS OTHERWISE SPECIFIED)
LINEAR (IN.)
FRACTIONAL = ± 1/64
2 PLACE DECIMAL = ±0.01
3 PLACE DECIMAL = ±0.005
4 PLACE DECIMAL = ±0.0005

ANGULAR
DEGREES = ±1°
DEGS, MINS = ±00°,30'
DEGS, MINS, SECS = ±00°.00',30"

CONFIDENTIAL

NOTICE: THE INFORMATION CONTAINED HEREIN IS PROPERTY OF ANGSTROM SCIENCES, INC. DUQUESNE, PA AND CONTAINS PROPRIETARY INFORMATION WHICH HAS BEEN SUBMITTED TO YOU IN CONFIDENCE FOR A SPECIFIC PURPOSE. COPYING, USING, OR DISCLOSING THIS DRAWING OR THE INFORMATION ON IT WITHOUT ANGSTROM SCIENCES PRIOR WRITTEN CONSENT BY AN APPROVED REPRESENTATIVE IS PROHIBITED AND MAY BE GROUNDS FOR LEGAL ACTION. PATENTABLE DESIGN FEATURES ARE PROTECTED BY UNITED STATES PATENT LAWS.

SCALE: NTS

DRAWN BY: jmaline DATE: 2/5/2015

CHKD. BY: DATE:

APVL. BY: DATE:

SHEET 1 OF 1

PART NO.:

ANGSTROM SCIENCES, INC.

TITLE: CYLINDRICAL MAGNET TUBE ASSEMBLY
MAGNETIC FIELD

DRAWING NUMBER: CYLINDRICAL FIELD_HF & EX

REV.	SIZE
	B