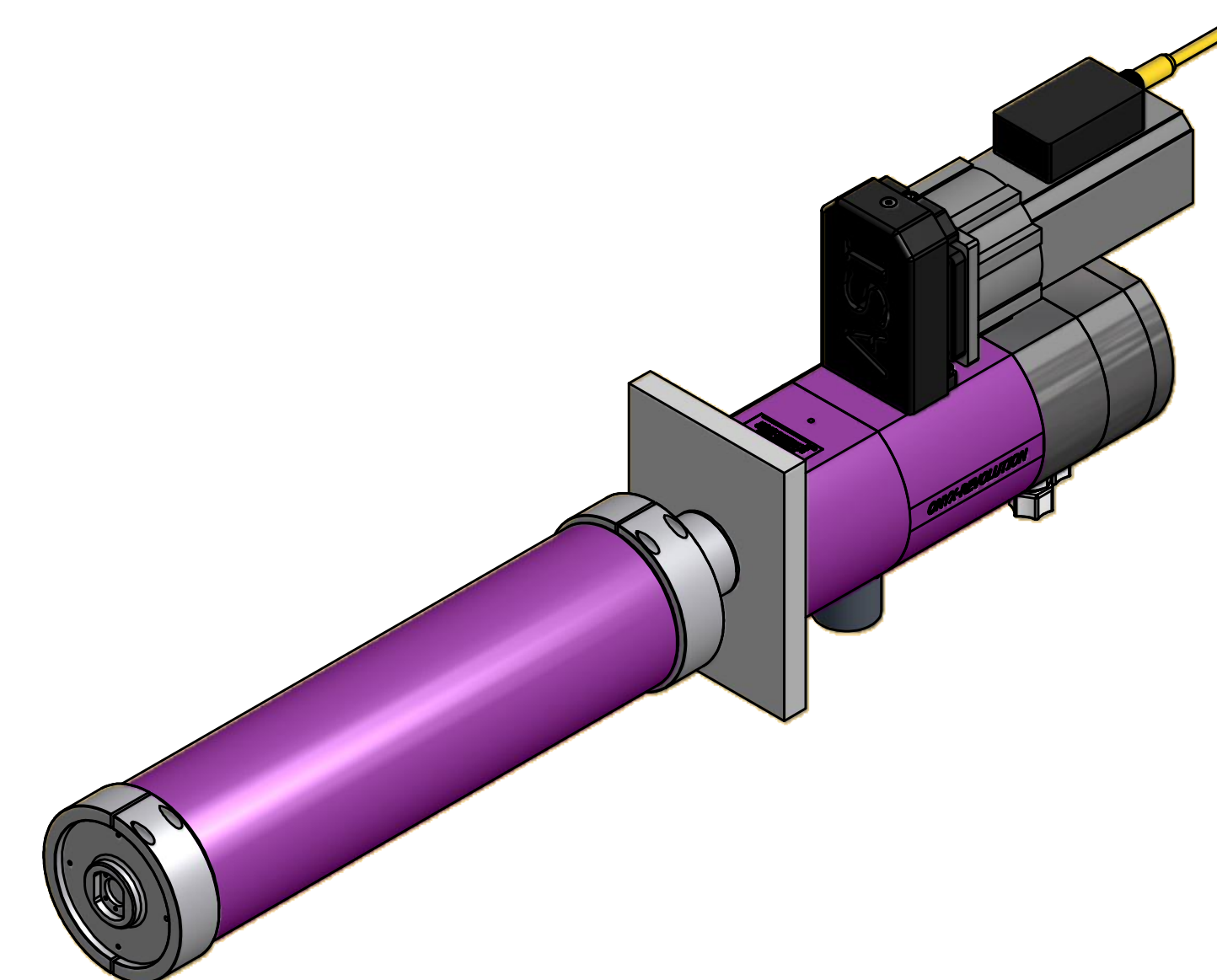


SEAL FACE DETAIL



REVOLUTION SIDE-MOUNT CYLINDRICAL - SINGLE

UNITS: INCHES

NO.	DATE	REVISION	BY	TOLERANCES (UNLESS OTHERWISE SPECIFIED)	CONFIDENTIAL	SCALE: 1/4	ANGSTROM SCIENCES, INC.
				LINEAR (IN.)		DATE: 8/29/2017	TITLE:
				FRACTIONAL = ± 1/64		DRAWN BY: jlowmaster	
				2 PLACE DECIMAL = ± 0.01		CHKD. DATE:	
				3 PLACE DECIMAL = ± 0.005		BY: DATE:	
				4 PLACE DECIMAL = ± 0.0005		APVL BY: DATE:	
				ANGULAR			DRAWING NUMBER: 4400
				DEGREES = ± 1'			REV. SIZE
				DEGS. MINS = ± 00' 30"		SHEET 1 OF 1	D