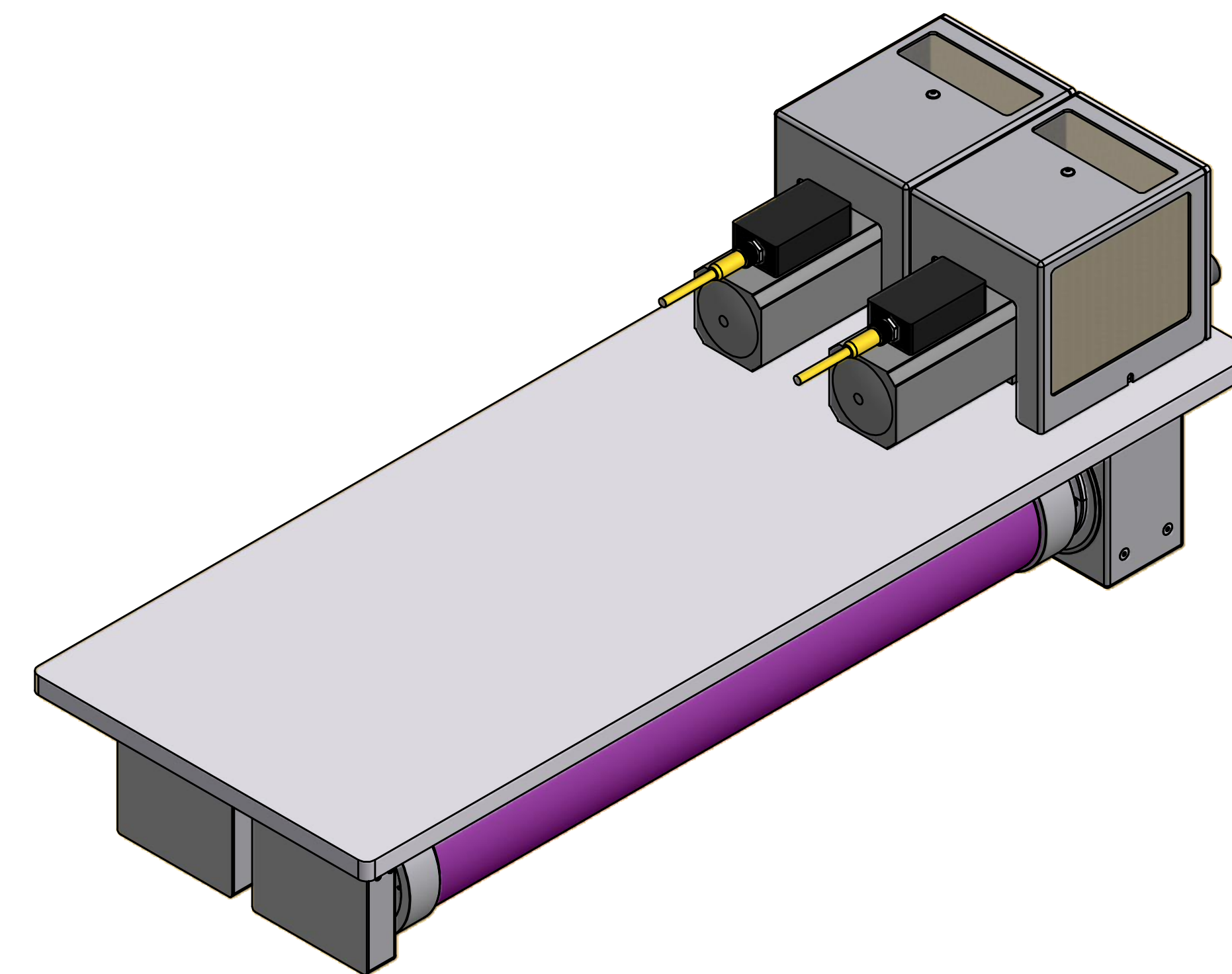
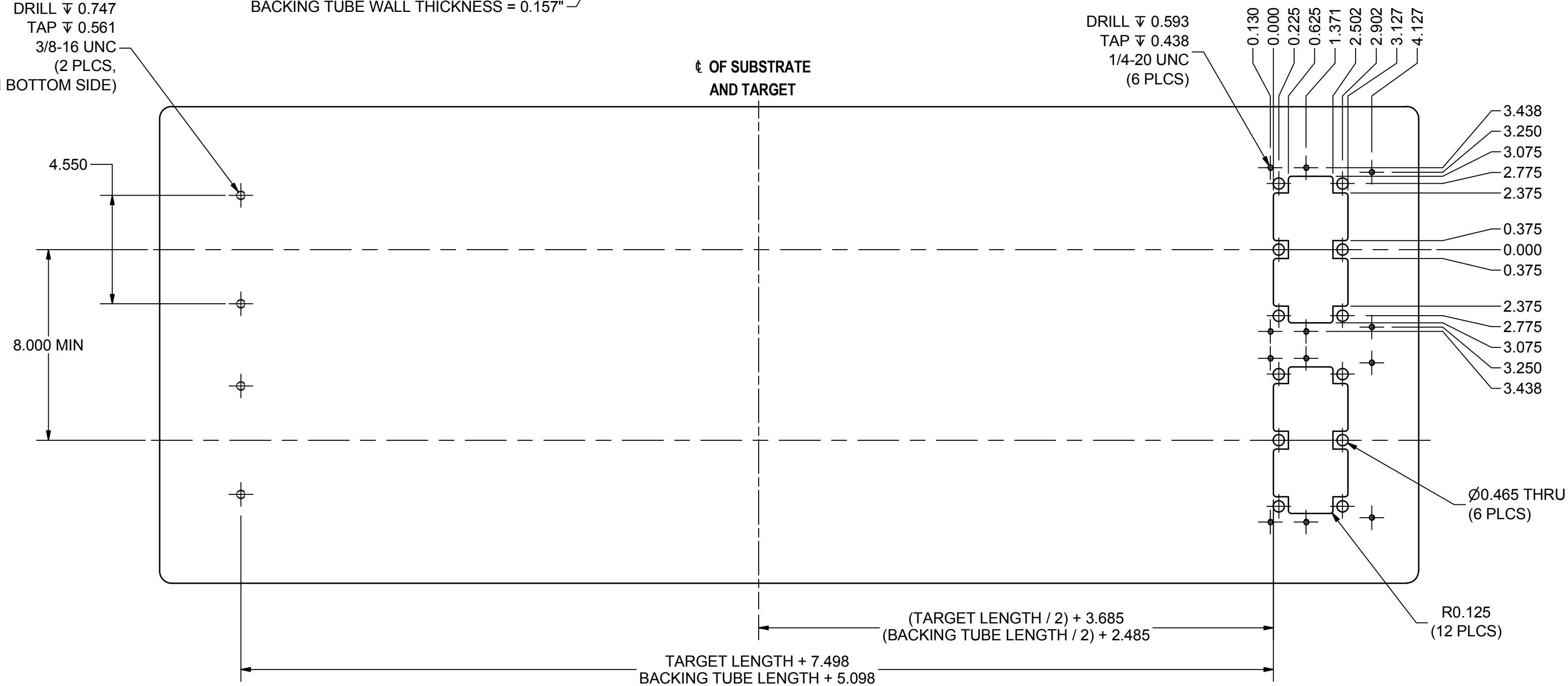


DRILL ∇ 0.747
TAP ∇ 0.561
3/8-16 UNC
(2 PLCS.
ON BOTTOM SIDE)

BACKING TUBE WALL THICKNESS = 0.157"



REVOLUTION COMPACT DROP-IN CYLINDRICAL - DUAL
UNITS: INCHES

NO.	DATE	REVISION	BY

TOLERANCES (UNLESS OTHERWISE SPECIFIED)
LINEAR (IN.)
FRACTIONAL = \pm 1/64
2 PLACE DECIMAL = \pm 0.01
3 PLACE DECIMAL = \pm 0.005
4 PLACE DECIMAL = \pm 0.0005

CONFIDENTIAL

NOTICE: THE INFORMATION CONTAINED HEREIN IS PROPERTY OF ANGSTROM SCIENCES, INC. DUQUESNE, PA AND CONTAINS PROPRIETARY INFORMATION WHICH HAS BEEN SUBMITTED TO YOU IN CONFIDENCE FOR A SPECIFIC PURPOSE. COPYING, USING OR DISCLOSING THIS DRAWING OR THE INFORMATION ON IT WITHOUT ANGSTROM SCIENCES PRIOR WRITTEN CONSENT BY AN APPROVED REPRESENTATIVE IS PROHIBITED AND MAY BE GROUNDS FOR LEGAL ACTION. PATENTABLE DESIGN FEATURES ARE PROTECTED BY UNITED STATES PATENT LAWS.

SCALE: 1/4	DATE: 8/21/2017
DRAWN BY: jlowmaster	TITLE:
CHKD BY:	DATE:
APVL BY:	DATE:
SHEET 1 OF 1	
PART NO.:	DRAWING NUMBER:

ANGSTROM SCIENCES, INC.

3200

REV. SIZE
D