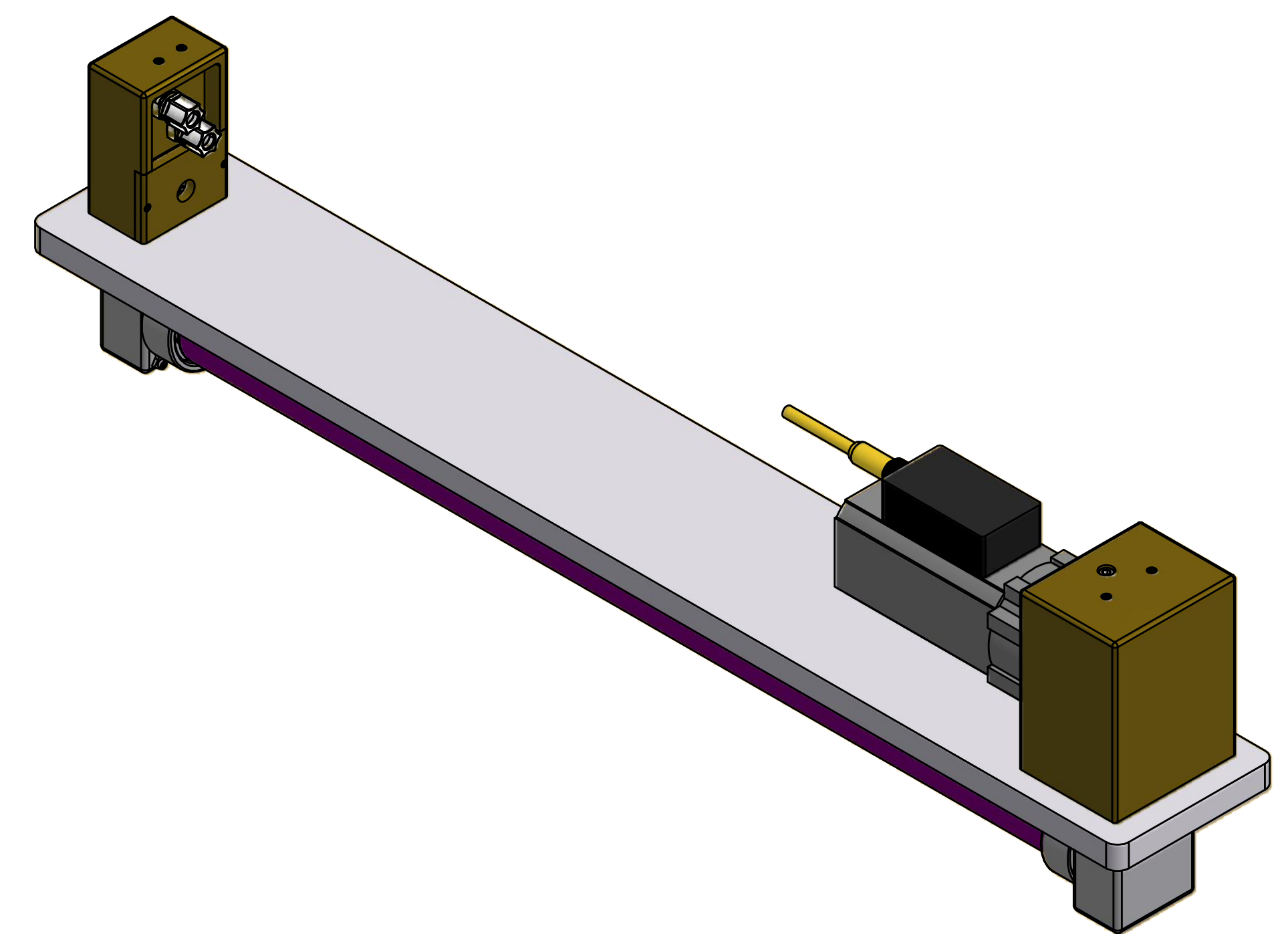
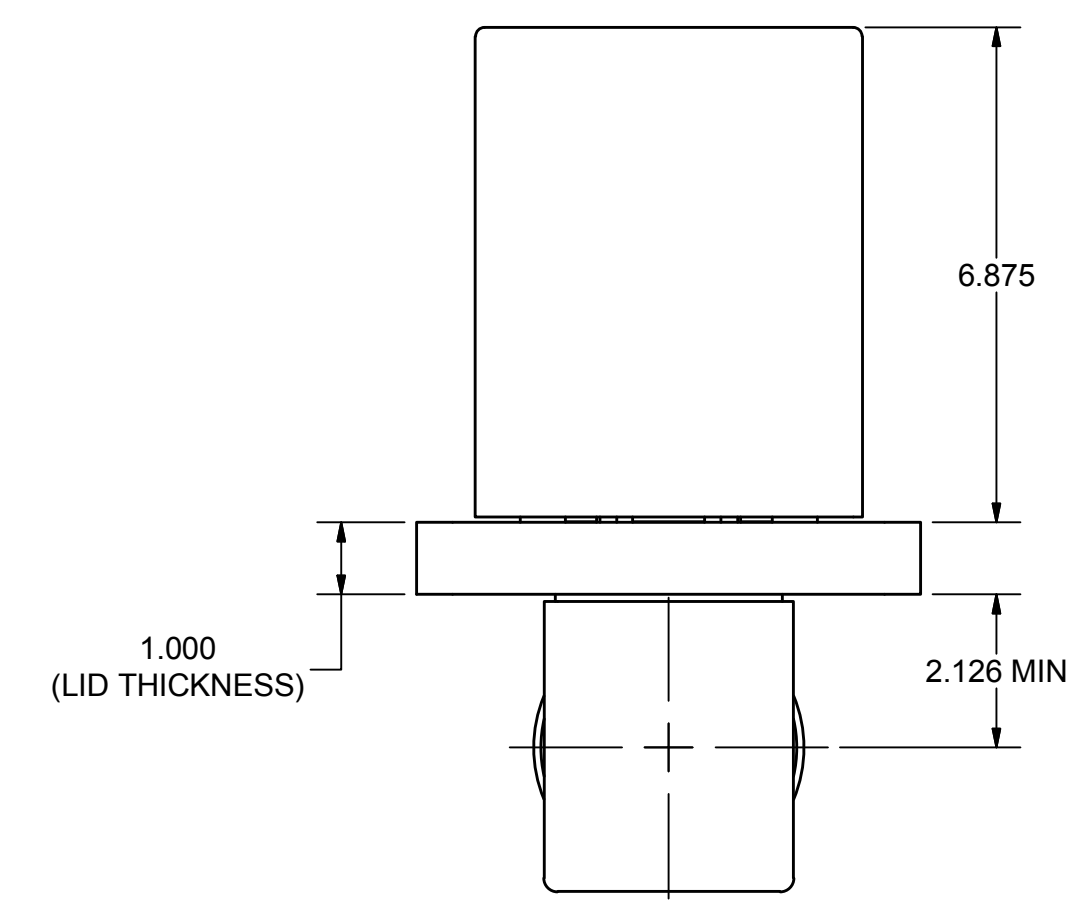


LID DETAIL



REVOLUTION MINI DROP-IN CYLINDRICAL - SINGLE

UNITS: INCHES

NO.	DATE	REVISION	BY

(UNLESS OTHERWISE SPECIFIED)

LINEAR (IN.)	LINEAR (MM)
FRACTIONAL = ± 1/64	NO DECIMAL = ± 0.5
2 PLACE DECIMAL = ± 0.01	1 PLACE DECIMAL = ± 0.1
3 PLACE DECIMAL = ± 0.005	2 PLACE DECIMAL = ± 0.01
4 PLACE DECIMAL = ± 0.0005	

ANGULAR DEGREES = ± 1°
DEGS, MINS = ± 00° 30'
DEGS, MINS, SECS = ± 00° 00' 30"

CONFIDENTIAL

NOTICE: THE INFORMATION CONTAINED HEREIN IS PROPERTY OF ANGSTROM SCIENCES, INC. DUQUESNE, PA AND CONTAINS PROPRIETARY INFORMATION WHICH HAS BEEN SUBMITTED TO YOU IN CONFIDENCE FOR A SPECIFIC PURPOSE. COPYING, USING OR DISCLOSING THIS DRAWING OR THE INFORMATION ON IT WITHOUT ANGSTROM SCIENCES PRIOR WRITTEN CONSENT BY AN APPROVED REPRESENTATIVE IS PROHIBITED AND MAY BE GROUNDS FOR LEGAL ACTION. PATENTABLE DESIGN FEATURES ARE PROTECTED BY UNITED STATES PATENT LAWS.

SCALE: 3/8	ANGSTROM SCIENCES, INC.
DRAWN BY: jlowmaster	TITLE:
DATE: 8/29/2017	
SHEET 1 OF 1	DRAWING NUMBER: 1200
PART NO:	REV:
	SIZE: D