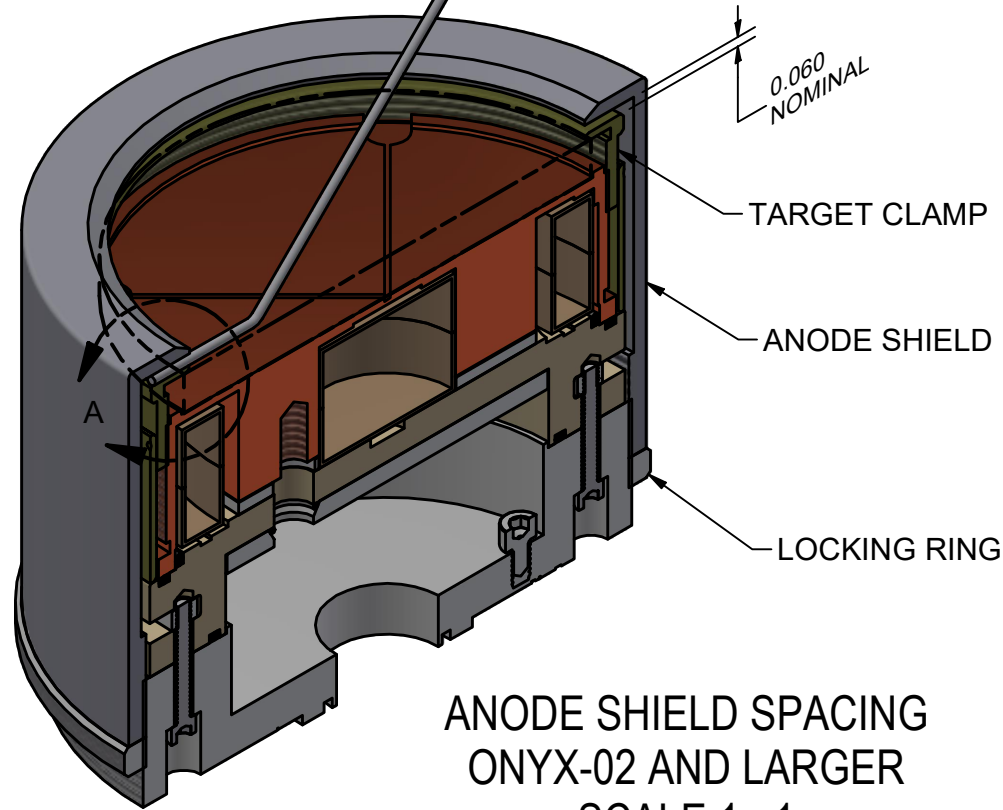


TOOL SPACING-ISO

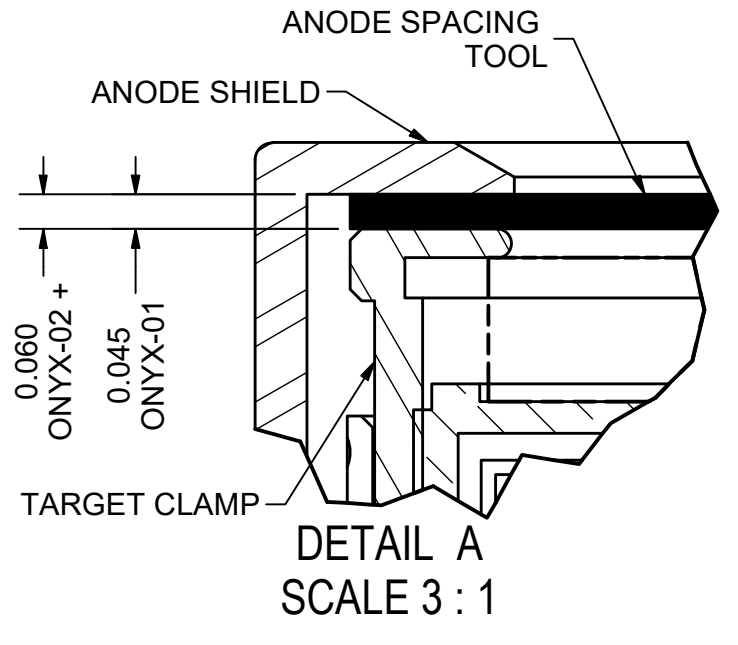
DRAWING NUMBER:

ANODE SHIELD SPACING FOR ALL ONYX INDIRECT COOLED MAGNETRONS 2" (ONYX-02) AND LARGER 0.060" NOMINAL GAP

1000203 - 0.060" ANODE SPACING TOOL



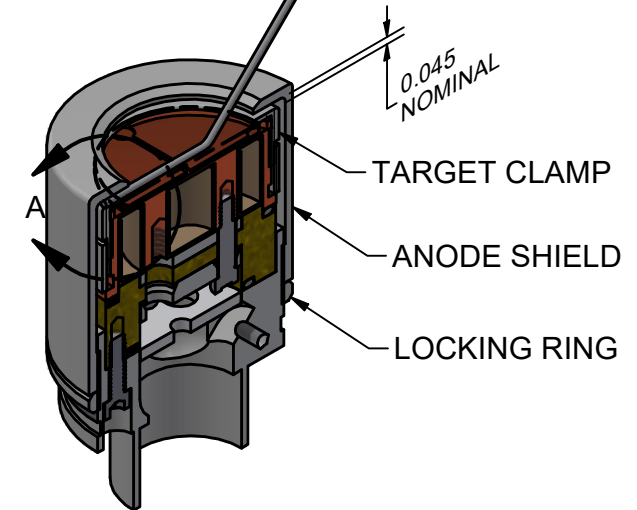
ANODE SHIELD SPACING ONYX-02 AND LARGER SCALE 1 : 1



DETAIL A SCALE 3 : 1

ANODE SHIELD SPACING FOR ONYX INDIRECT COOLED MAGNETRONS 1" (ONYX-01) 0.045" NOMINAL GAP

1000237 - 0.045" ANODE SPACING TOOL



0.045 NOMINAL

TARGET CLAMP
ANODE SHIELD
LOCKING RING

NO.	DATE	REVISION	BY

TOLERANCES (UNLESS OTHERWISE SPECIFIED)	
LINEAR (IN.)	LINEAR (MM)
FRACTIONAL = ± 1/64	NO DECIMAL = ±0.5
2 PLACE DECIMAL = ±0.01	1 PLACE DECIMAL = ±0.1
3 PLACE DECIMAL = ±0.005	2 PLACE DECIMAL = ±0.01
4 PLACE DECIMAL = ±0.0005	
ANGULAR	
DEGREES = ±1°	
DEGS, MINS = ±00°,30'	
DEGS, MINS, SECS = ±00°,00',30"	

CONFIDENTIAL

NOTICE: THE INFORMATION CONTAINED HEREIN IS PROPERTY OF ANGSTROM SCIENCES, INC. DUQUESNE, PA AND CONTAINS PROPRIETARY INFORMATION WHICH HAS BEEN SUBMITTED TO YOU IN CONFIDENCE FOR A SPECIFIC PURPOSE. COPYING, USING, OR DISCLOSING THIS DRAWING OR THE INFORMATION ON IT WITHOUT ANGSTROM SCIENCES PRIOR WRITTEN CONSENT BY AN APPROVED REPRESENTATIVE IS PROHIBITED AND MAY BE GROUNDS FOR LEGAL ACTION. PATENTABLE DESIGN FEATURES ARE PROTECTED BY UNITED STATES PATENT LAWS.

SCALE:	1:1
DRAWN BY:	tbruce
DATE:	6/15/2023
CHKD. BY:	
DATE:	
APVL. BY:	
DATE:	
SHEET 1 OF 1	
PART NO.:	

ANGSTROM SCIENCES, INC.

TITLE: ANODE SPACING TOOL DIAGRAM FOR INDIRECT COOLED HEADS

DRAWING NUMBER:	TOOL SPACING-ISO	REV.	SIZE
			B